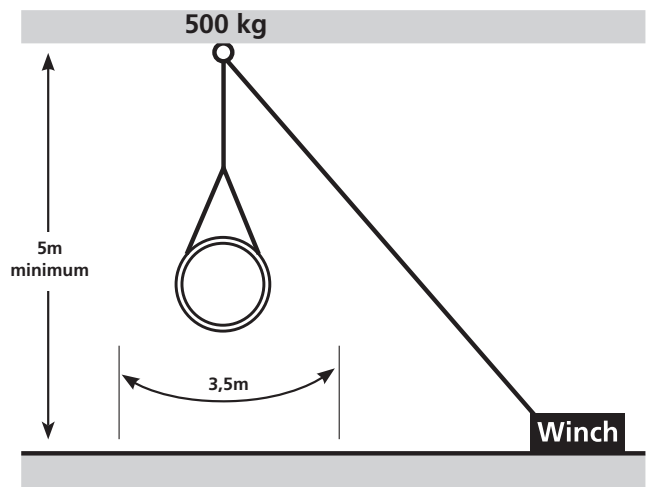
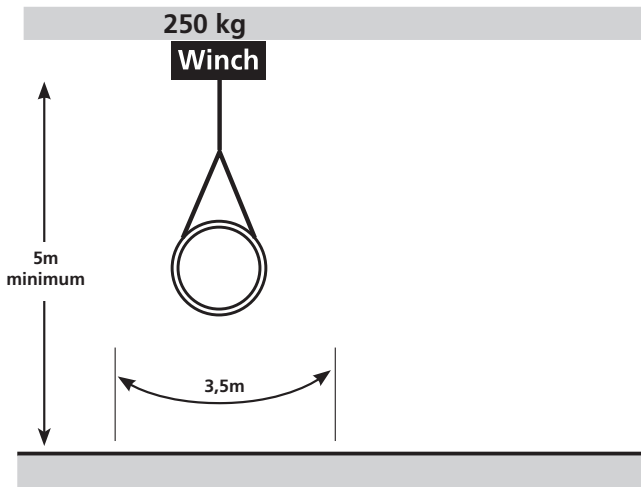


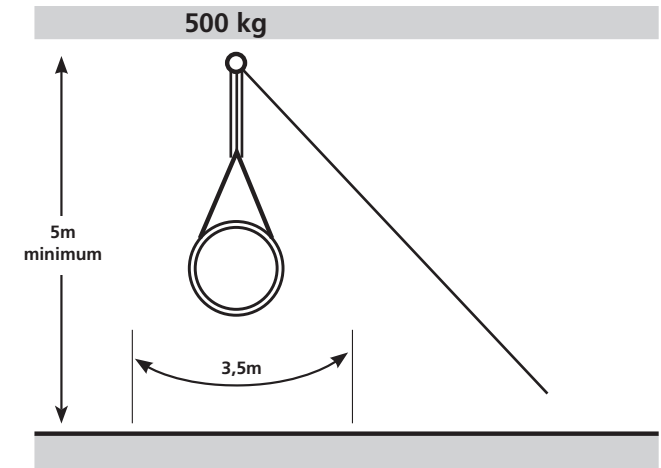
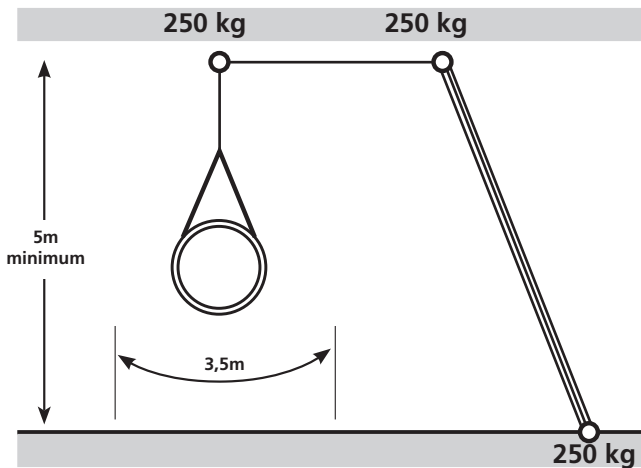
Technical rider

Option 1: winch



- working load of winch: 250 kg
- preferred material: cable, steel
- preferred speed: 72 m / min
- handling: short delay time

Option 2: pulley system



- different set-ups possible
- preferred material: static rope, e.g. Technora